



FURON[®]
Pure Performance

Furon[®] UPRM Pressure Regulator

Manually Actuated (1/4" & 1/2" Orifice)

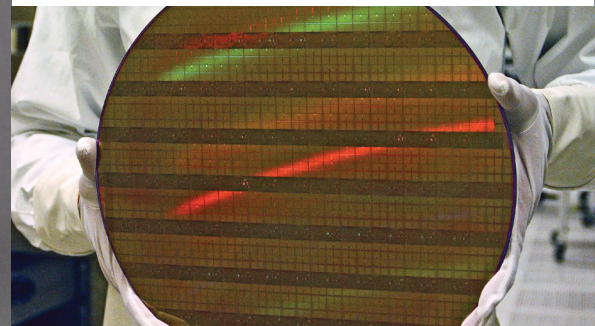
Description

Furon UPRM Pressure Regulators are engineered to accurately maintain predetermined output pressures in fluid lines. By adjusting the ergonomically designed knob, the end user can control the desired fluid output pressure. Our regulator contains no exposed metallic parts. A modified PTFE isolation diaphragm protects the actuator components from the process media, assuring no possibility of contamination from metal elements. Manual UPRM Pressure Regulators come standard with a panel mount option, allowing easy installation on an instrumentation or control panel.

Constructed from 100% high-purity PFA and PTFE wetted parts, Furon UPRM Pressure Regulators are suitable for use in ultrapure, harsh, or aggressive chemicals commonly found in the Semiconductor industry, or any other applications requiring high purity and/or high chemical resistance.

Applications

- Regulation of pressures in aggressive or ultrapure chemical or DI water lines
- Protecting sensitive instrumentation from pressure spikes
- Preventing foreign particles from being forced through filtration membranes due to unstable pressures



Features and Benefits

- Mechanical design maintains predetermined output pressure
- Handles fluid temperatures up to 194°F (90°C)
- All fluoropolymer wetted surfaces
- Non-metallic external surfaces
- Integral leak port detection
- Panel mount feature standard

ASK AN ENGINEER


SAINT-GOBAIN

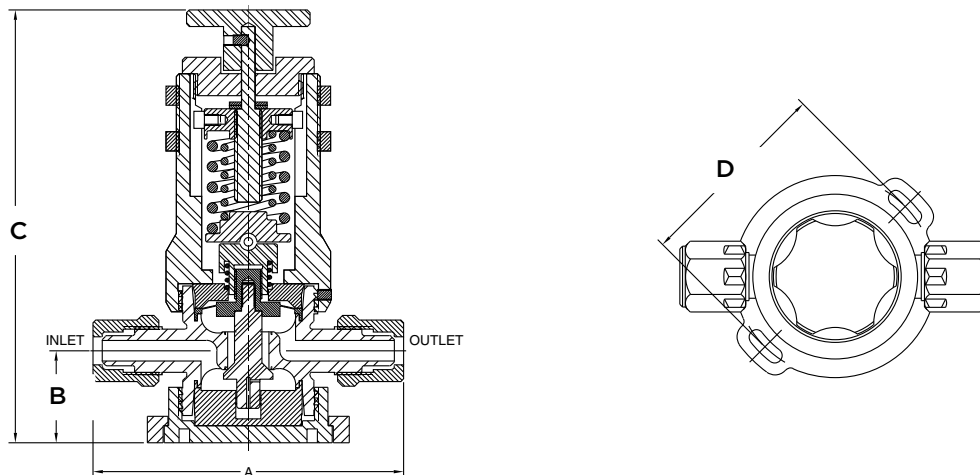
Furon UPRM Pressure Regulator - Manually Actuated

Part Number	Pressure Regulation Range	End Connection	Orifice (in.)	Port Size (in.)	A (in.)	B (in.)	C (in.)	D (in.)
UPRM-144-30-M	10 - 40 psig (0.7- 2.75 bar)	FNPT	1/4	1/4	3.60 (91.44 mm)	1.45 (36.83 mm)	5.20 (132.08 mm)	2.72 (69.09 mm)
UPRM-744-30-M	10 - 40 psig (0.7- 2.75 bar)	FuseBond™	1/4	1/4	4.90 (124.5 mm)			
UPRM-F44-30-M	10 - 40 psig (0.7- 2.75 bar)	FlareGrip® II	1/4	1/4	4.30 (109.2 mm)			
UPRM-S30044-30-M	10 - 40 psig (0.7- 2.75 bar)	Nippon Pillar Super 300*	1/4	1/4	Please contact us			
UPRM-F46-30-M	10 - 40 psig (0.7- 2.75 bar)	FlareGrip® II	1/4	3/8	4.60 (116.8 mm)			
UPRM-S30046-30-M	10 - 40 psig (0.7- 2.75 bar)	Nippon Pillar Super 300*	1/4	3/8	Please contact us			
UPRM-144-60-M	15 - 60 psig (1.0- 4.1 bar)	FNPT	1/4	1/4	3.60 (91.44 mm)			
UPRM-744-60-M	15 - 60 psig (1.0- 4.1 bar)	FuseBond™	1/4	1/4	4.90 (124.5 mm)			
UPRM-F44-60-M	15 - 60 psig (1.0- 4.1 bar)	FlareGrip® II	1/4	1/4	4.30 (109.2 mm)			
UPRM-S30044-60-M	15 - 60 psig (1.0- 4.1 bar)	Nippon Pillar Super 300*	1/4	1/4	Please contact us			
UPRM-F46-60-M	15 - 60 psig (1.0- 4.1 bar)	FlareGrip® II	1/4	3/8	4.60 (116.8 mm)			
UPRM-S30046-60-M	15 - 60 psig (1.0- 4.1 bar)	Nippon Pillar Super 300*	1/4	3/8	Please contact us			
UPRM-188-30-M	10 - 40 psig (0.7- 2.75 bar)	FNPT	1/2	1/2	5.80 (147.3 mm)	1.65 (41.91 mm)	7.82 (196.63 mm)	3.62 (91.95 mm)
UPRM-788-30-M	10 - 40 psig (0.7- 2.75 bar)	FuseBond™	1/2	1/2	5.80 (147.3 mm)			
UPRM-F88-30-M	10 - 40 psig (0.7- 2.75 bar)	FlareGrip® II	1/2	1/2	5.82 (147.8 mm)			
UPRM-S30088-30-M	10 - 40 psig (0.7- 2.75 bar)	Nippon Pillar Super 300*	1/2	1/2	Please contact us			
UPRM-F812-30-M	10 - 40 psig (0.7- 2.75 bar)	FlareGrip® II	1/2	3/4	5.88 (149.4 mm)			
UPRM-S300812-30-M	10 - 40 psig (0.7- 2.75 bar)	Nippon Pillar Super 300*	1/2	3/4	Please contact us			
UPRM-188-60-M	15 - 60 psig (1.0- 4.1 bar)	FNPT	1/2	1/2	5.80 (147.3 mm)			
UPRM-788-60-M	15 - 60 psig (1.0- 4.1 bar)	FuseBond™	1/2	1/2	5.80 (147.3 mm)			
UPRM-F88-60-M	15 - 60 psig (1.0- 4.1 bar)	FlareGrip® II	1/2	1/2	5.82 (147.8 mm)			
UPRM-S30088-60-M	15 - 60 psig (1.0- 4.1 bar)	Nippon Pillar Super 300*	1/2	1/2	Please contact us			
UPRM-F812-60-M	15 - 60 psig (1.0- 4.1 bar)	FlareGrip® II	1/2	3/4	5.88 (149.4 mm)			
UPRM-S300812-60-M	15 - 60 psig (1.0- 4.1 bar)	Nippon Pillar Super 300*	1/2	3/4	Please contact us			

* [Please contact us](#) for Higher Pressure Regulation range.

Furon UPRM Pressure Regulator - Manually Actuated

Drawings



Operating Specifications

Max. Operating Pressure	90 psig (6.2 bar)
Max. Operating Temperature	Ambient: 122°F (50°C) Media: 194°F (90°C)
Pressure Regulation Range*	10 - 40 psig (0.7 - 2.75 bar) and 15 - 60 psig (1.0 - 4.1 bar)
Flow Factor	Cv 3.2 (with 1/2" flare connections)
Body	PTFE
Diaphragm	Modified PTFE
Top Cap	Polypropylene

* [Please contact us](#) for Higher Pressure Regulation range.

Options

- Other end connection types available:
 - Nippon Pillar Super 300
 - Tube Ends
 - Grab Seal
 - Others not listed [Please consult factory](#) for further details >>



Saint-Gobain Performance Plastics

7301 Orangewood Avenue
Garden Grove, CA 92841

1-800-833-5661
Tel: (714) 630-5818
Fax: (714) 688-2614

www.furon.com

NOTE: The data and details given in this document are correct and up to date. This document is intended to provide information about the product and possible applications. This document is not the product specification and does not provide specific features, nor does it guarantee product performance in specific applications. Saint-Gobain cannot anticipate or control the conditions of the field and for this reason strongly recommends that practical tests are conducted to ensure that the product meets the requirements of a specific application.

Furon®, FlareGrip® and FuseBond™ are registered trademarks of Saint-Gobain Performance Plastics. Super 300® is a registered trademark of Nippon Pillar Packaging Co. LTD.

IMPORTANT: It is the user's responsibility to ensure the suitability and safety of Saint-Gobain Performance Plastics products for all intended uses and that the components to be used comply with all applicable regulatory requirements. Saint-Gobain Performance Plastics assumes no responsibility for any product failures that occur due to misuse arising out of the design, fabrication or application of the products into which they are incorporated.

WARRANTY: If Product is Purchased by Customer for use: Saint-Gobain warranties that the Product Specifications is for a period of 18 months, provided Customer can establish that the Product did not conform to Specification at time of delivery and the non-conformance of the Product to Specification has not been caused as a result of any action or inaction by the Customer or Customer's storage conditions. If Product is Purchased by Distributor or Reseller: Saint-Gobain warranties that the Product Specifications for a period of 18 months, provided Distributor can establish that the Product did not conform to Specification at time of delivery and the non-conformance of the Product to Specification has not been caused as a result of any action or inaction by the Distributor/Reseller or its or because of storage conditions under which the Product is stored at Distributor/Reseller's and/or Customer/End User's storage facility. THIS IS THE EXCLUSIVE WARRANTY AND IS EXPRESSLY IN LIEU OF ANY AND ALL OTHER OBLIGATIONS, GUARANTEES, WARRANTIES AND REPRESENTATIONS. SAINT-GOBAIN PERFORMANCE PLASTICS DISCLAIMS ALL IMPLIED WARRANTIES OF MERCHANTABILITY AND FITNESS FOR A PARTICULAR PURPOSE.