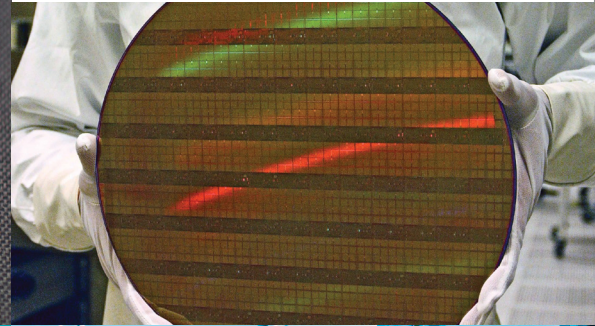


# FURON®

Pure Performance



## Furon® Mini Check Valve

### Media Actuated, (1/4" & 3/8" Orifice)

#### Description

Furon Mini Check Valves are injection molded, high-purity valves which allow fluids to pass in only one direction, preventing back flow. Our Mini Check Valves feature 100% metal-free and elastomer-free construction and high purity PFA wetted flow path. Compact design allows for easy inline installation. Furon Mini Check Valves are engineered for use in fluid temperatures up to 203°F (95°C) and operating pressures up to 120 PSIG (8.3 bar).

#### Applications

- Prevent drain down of chemical delivery lines
- Prevent back flow in process delivery
- Transfer of aggressive or ultrapure chemicals commonly used in the Semiconductor and Chemical Processing industries



#### Features and Benefits

- Injection molded, high purity PFA and PTFE wetted flow path
- 100% metal-free O-Ring free design
- <1 PSIG (0.07 bar) cracking pressure
- High purity design and construction reduces possibility of process contamination
- Easy in-line installation
- Protects against possibility of back flow with minimal impact to system

ASK AN ENGINEER



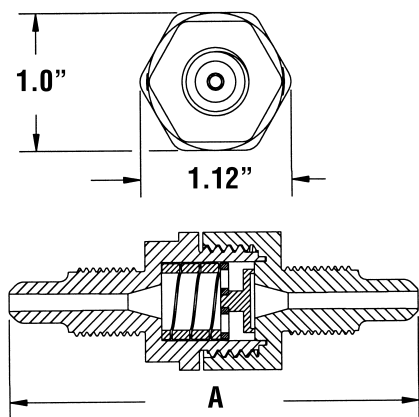
SAINT-GOBAIN

## Furon Mini Check Valve

Part Number	End Connection	Orifice (in)	Port Size (in)	A
MCVM-F44	FlareGrip® II	1/4	1/4	3.03" (77.0 mm)
MCVM-F66	FlareGrip® II	3/8	3/8	3.19" (81.0 mm)
MCVM-S30044	Nippon Pillar Super 300®	1/4	1/4	2.22" (56.4 mm)
MCVM-S30066	Nippon Pillar Super 300®	3/8	3/8	2.54" (64.6 mm)

## Operating Specifications

Operating Pressure	120 psig (8.3 bar)
Back Pressure	120 psig (8.3 bar)
Cracking Pressure	<1 PSIG (0.07 bar)
Min. Sealing Back Pressure	5 psig (0.35 bar)
Cv Flow Factor	0.1 - 1.9
Max. Operating Temperature	Ambient: 149°F (65°C) Media: 203°F (95°C)
Body	PFA
Spring	PFA

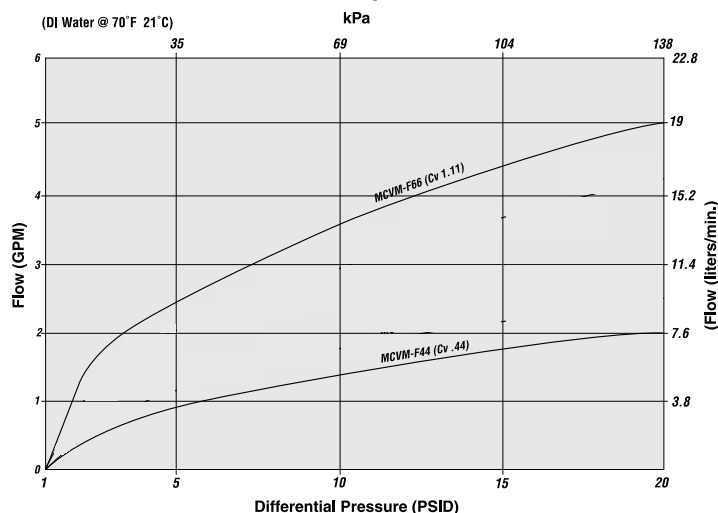


## Options

- Pillar "Y Type" sleeves for thin-wall tubing.
- Other end connections not listed.

[Please consult factory](#) for further details and different cracking pressure options >>

## Pressure Drop Vs. Flow



### Saint-Gobain Performance Plastics

7301 Orangewood Avenue  
Garden Grove, CA 92841

1-800-833-5661  
Tel: (714) 630-5818  
Fax: (714) 688-2614

www.furon.com

**NOTE:** The data and details given in this document are correct and up to date. This document is intended to provide information about the product and possible applications. This document is not the product specification and does not provide specific features, nor does it guarantee product performance in specific applications. Saint-Gobain cannot anticipate or control the conditions of the field and for this reason strongly recommends that practical tests are conducted to ensure that the product meets the requirements of a specific application.

Furon®, FlareGrip® and FuseBond™ are registered trademarks of Saint-Gobain Performance Plastics. Nippon Pillar Super 300® is a registered trademark of Nippon Pillar Packing Co.

**IMPORTANT:** It is the user's responsibility to ensure the suitability and safety of Saint-Gobain Performance Plastics products for all intended uses and that the components to be used comply with all applicable regulatory requirements. Saint-Gobain Performance Plastics assumes no responsibility for any product failures that occur due to misuse arising out of the design, fabrication or application of the products into which they are incorporated.

**WARRANTY:** If Product is Purchased by Customer for use: Saint-Gobain warrants that the Product Specifications is for a period of 18 months, provided Customer can establish that the Product did not conform to Specification at time of delivery and the non-conformance of the Product to Specification has not been caused as a result of any action or inaction by the Customer or Customer's storage conditions. If Product is Purchased by Distributor or Reseller: Saint-Gobain warrants that the Product Specifications for a period of 18 months, provided Distributor can establish that the Product did not conform to Specification at time of delivery and the non-conformance of the Product to Specification has not been caused as a result of any action or inaction by the Distributor/Reseller or its or because of storage conditions under which the Product is stored at Distributor/Reseller's and/or Customer/End User's storage facility. THIS IS THE EXCLUSIVE WARRANTY AND IS EXPRESSLY IN LIEU OF ANY AND ALL OTHER OBLIGATIONS, GUARANTEES, WARRANTIES AND REPRESENTATIONS. SAINT-GOBAIN PERFORMANCE PLASTICS DISCLAIMS ALL IMPLIED WARRANTIES OF MERCHANTABILITY AND FITNESS FOR A PARTICULAR PURPOSE.