

FURON[®]
Pure Performance

Furon[®] PPRD1 Pump

Pneumatic Dosing Pump 6-40 mL Stroke Capability

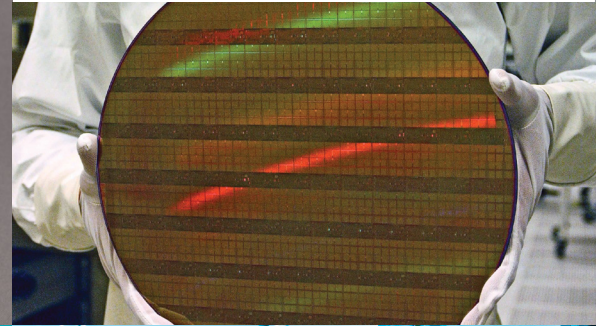
Description

The Furon PPRD pump is pneumatically operated: one bellow made from PTFE is driven forward and backward to deliver each dose of chemical. Furon PPRD pumps come with either pneumatic or inductive end position sensors. They can be operated according to various modes: single shot, timer, preset number of strokes, etc., depending on the characteristics of the control unit selected.

All Furon PPRD pump wetted components are manufactured with High Purity PFA and PTFE and are suitable for pumping even the most corrosive concentrated chemicals (acids and solvents). All other components are manufactured with high technology materials; Our pumps are assembled in our cleanroom, tested with DI water, cleaned, then double sealed in plastic bags.

Applications

- Dosing of Ultrapure chemicals in Semiconductor fabs
- Dispensing of sensitive fluids
- Dispensing of corrosive, aggressive and ultra pure fluids



Features and Benefits

- All wetted parts made of High Purity PFA HP or Virgin PTFE
- Assembled, cleaned and packed in clean room
- Self-priming
 - Easy to start
- Compact and clear construction
 - Easy to locate and maintain
- Clever manual tuning of the dose from 6 to 40 ml
 - Easy to set up
- +/- 1% accuracy and repeatability

ASK AN ENGINEER


SAINT-GOBAIN

Furon PPRD1 Pump Ordering Information

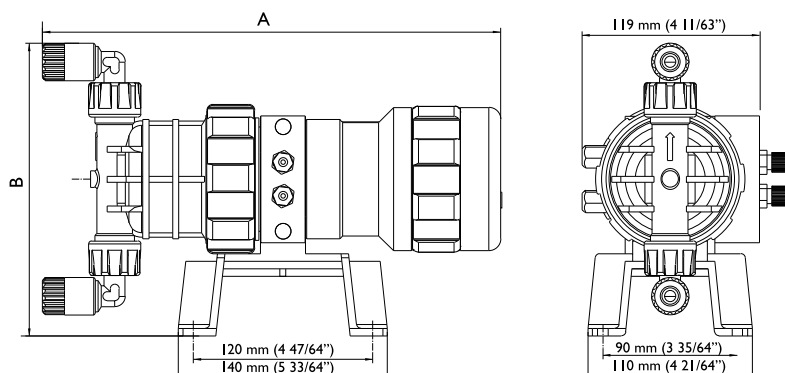
Part Number	End Stroke Sensor	Flare Type Fluid Connections	A	B
PPRD1 206	Pneumatic	1/4" x 5/16" (6 x 8 mm)	11-13/16" (300 mm)	7-17/32" (191 mm)
PPRD1 210		3/8" x 1/2" (10 x 13 mm)	12-3/32" (307 mm)	7-23/32" (196 mm)
PPRD1 306	Inductive	1/4" x 5/16" (6 x 8 mm)	11-13/16" (300 mm)	7-17/32" (191 mm)
PPRD1 310		3/8" x 1/2" (10 x 13 mm)	12-3/32" (307 mm)	7-23/32" (196 mm)

Control Box for Pneumatic Version Ordering Information

Part Number	Sensor Type	Control Type	Description
50 000 41	Pneumatic	Single Shot	Pump delivers one dose and stops
50 000 42	Pneumatic	Timer	Pump delivers a dose at pre-set time intervals (adjustable between 2 and 30 seconds) until stopped
50 000 44	Pneumatic	Preset Counter	Pump delivers a preset number of doses
50 000 43	Pneumatic	Timer + Preset Counter	Pump delivers a dose at pre-set time intervals (adjustable between 2 and 30 seconds) until a pre-set number of doses is reached

Operating Specifications

Single Shot	6-40 ml
Flow Rate	0-0.5 GPM 0-120 l/h
Air Operating Pressure	40-70 PSI (3-5 bar)
Max. Delivery Pressure	60 PSI (4 bar)
Max. Air Consumption	3.5 SCFM 6m ³ /h
Air Connection	Tubing 2.7 x 4 mm
Max. Media Temperature	212°F (100°C)
Ambient Operating Temperature	32°F to 140°F (0°C to 60°C)
Weight	8 lbs (3.6 kg)
Dispense Accuracy	+/- 1%
Dispense Repeatability	+/- 1%
Maximum fluid viscosity	500 cps*



* Please consult factory for higher viscosity.



Saint-Gobain Performance Plastics
 7301 Orangewood Avenue
 Garden Grove, CA 92841
 1-800-833-5661
 Tel: (714) 630-5818
 Fax: (714) 688-2614

Saint-Gobain Performance Plastics - France
 56, Chemin des Berthilliers
 71850 Charnay-lès-Mâcon, France
 Tel: (33) 3-85-20-27-00
 Fax: (33) 3-85-29-18-48
www.furon.com

NOTE: The data and details given in this document are correct and up to date. This document is intended to provide information about the product and possible applications. This document is not the product specification and does not provide specific features, nor does it guarantee product performance in specific applications. Saint-Gobain cannot anticipate or control the conditions of the field and for this reason strongly recommends that practical tests are conducted to ensure that the product meets the requirements of a specific application.

Furon®, FlareGrip® and FuseBond™ are registered trademarks of Saint-Gobain Performance Plastics.

IMPORTANT: It is the user's responsibility to ensure the suitability and safety of Saint-Gobain Performance Plastics products for all intended uses and that the components to be used comply with all applicable regulatory requirements. Saint-Gobain Performance Plastics assumes no responsibility for any product failures that occur due to misuse arising out of the design, fabrication or application of the products into which they are incorporated.

WARRANTY: If Product is Purchased by Customer for use: Saint-Gobain warrants that the Product Specifications is for a period of 18 months, provided Customer can establish that the Product did not conform to Specification at time of delivery and the non-conformance of the Product to Specification has not been caused as a result of any action or inaction by the Customer or Customer's storage conditions. If Product is Purchased by Distributor or Reseller: Saint-Gobain warrants that the Product Specifications for a period of 18 months, provided Distributor can establish that the Product did not conform to Specification at time of delivery and the non-conformance of the Product to Specification has not been caused as a result of any action or inaction by the Distributor/Reseller or its or because of storage conditions under which the Product is stored at Distributor/Reseller's and/or Customer/End User's storage facility. THIS IS THE EXCLUSIVE WARRANTY AND IS EXPRESSLY IN LIEU OF ANY AND ALL OTHER OBLIGATIONS, GUARANTEES, WARRANTIES AND REPRESENTATIONS. SAINT-GOBAIN PERFORMANCE PLASTICS DISCLAIMS ALL IMPLIED WARRANTIES OF MERCHANTABILITY AND FITNESS FOR A PARTICULAR PURPOSE.